

3-point control

**Electronic temperature
control with 3-point output****RAKE723...**

in protective housing, with accessories for on-wall mounting

**Registered under DM/066 622****Electronic temperature control with 3-point output with adjustable proportional range, neutral zone and mixing valve operating time****Application**

Electronic temperature control for applications in boilers and on heating-, ventilation- and air conditioning equipment. The device is mounted with a bracket.

Features

- Status indication by LED for power supply and control status
- The nominal value is not sensitive to temperature changes on the housing (max. ± 1 K)
- Two, on the contact side reciprocally locked, relays
- Time factor for the sensing element acc. EN 14597

Type summary

Type	Order-no.	Range , adjustable [°C]	Immersion length
RAKE723.0110M*	011-6521	0 ... 60°C / 60 ... 120°C	0.8m
RAKE723.0111M*	011-6522	0 ... 60°C / 60 ... 120°C	1.5m
RAKE723.0112M*	011-6523	0 ... 60°C / 60 ... 120°C	3.0m
RAKE723.0113M*	011-6524	0 ... 60°C / 60 ... 120°C	5.0m
RAKE723.0114M*	011-6525	0 ... 60°C / 60 ... 120°C	10.0m
RAKE723.0115M*	011-6526	0 ... 60°C / 60 ... 120°C	15.0m

* Sensor holder for duct fitting to be ordered separately, see dimensional drawing.

Technical data

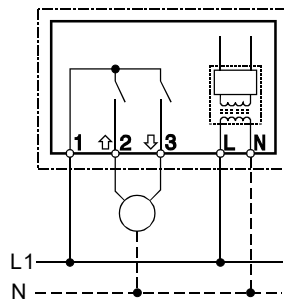
Power supply	Voltage	230 V~ -15...+10 %, 50 Hz	
	Power consumption	approx. 3 VA	
	Low voltage part	Protection isolated	
Switching power	Nominal voltage range	24...250 V~ 20...300 VDC	
	Nominal current range $I (I_M)$	0.05...4(4) A $\cos \varphi \geq 0.6$	
	Service life at nominal load	min. 100'000 operations	
Settings	Setting range	set temperature Double scale 0...60 °C / 60...120 °C	
	DIP-switch	set temperature	DIP1 Off: 0...60 °C / DIP1 On: 60...120 °C
		proportional range Xp	DIP2 Off: ± 20 K / DIP2 On: ± 10 K
		neutral zone Nz	DIP3 Off: ± 3 K / DIP3 On: ± 1.5 K
	mixing valve operating time	DIP4 Off: ≥ 30 s / DIP4 On: ≥ 60 s	

Sensor	Sensor type Measuring range	Pt1000 class B (EN 60751) -20...+140 °C
Calibration	Calibration tolerance Time factor in water / in oil	± 1 K <45 s / <60 s
Ambient conditions	Ambient temperature on housing Max. sensing element temperature Ambient temperature for storage and transport	0...50 °C (T50) 200 °C -20...+60 °C
Standards	CE-conformity EMC noise emission EMC noise immunity Product standard Operation mode Protection class	Guide line 89/336/EWG, 93/68/EWG EN 50081-1 / EN 55022B EN 50082-2 / EN60730 EN 60730-1 /-2/-9 Type 1C (EN 60730-1/-2/-9) II acc. EN 60730
Specification	Protection mode of housing Housing socket Housing cover Length R of immersion tube Electrical connection Cable bushing Weight without packaging and immersion tube	IP66 acc. EN 60529 Polyamide reinforced (PA), temperature stability up to 120 °C Polycarbonate (PC), temperature stability up to 120 °C 100, 150, 200, 280, 450 or 600 mm Screw terminals M20 and M16 approx. 255 gr.

Fitting notes

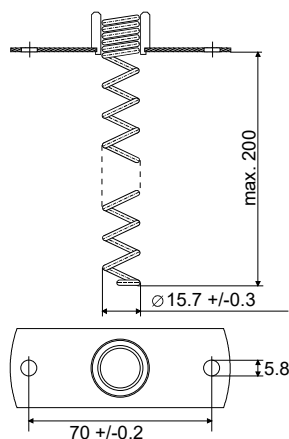
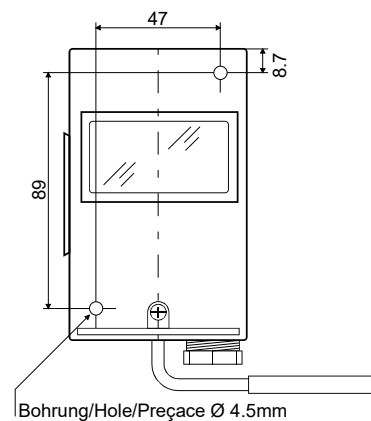
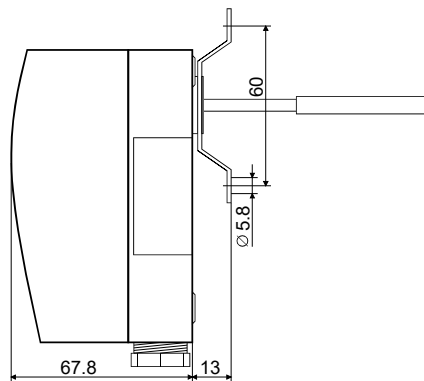
See the mounting instructions inside the packaging.

Wiring diagram / status indicators



Supply status	yellow LED
Relays status double - LED	heating red LED cooling green LED

Dimension drawing



Socket	005-1054
Cover	005-0551.3
Sensor holder	005-0591
Bracket	005-0412